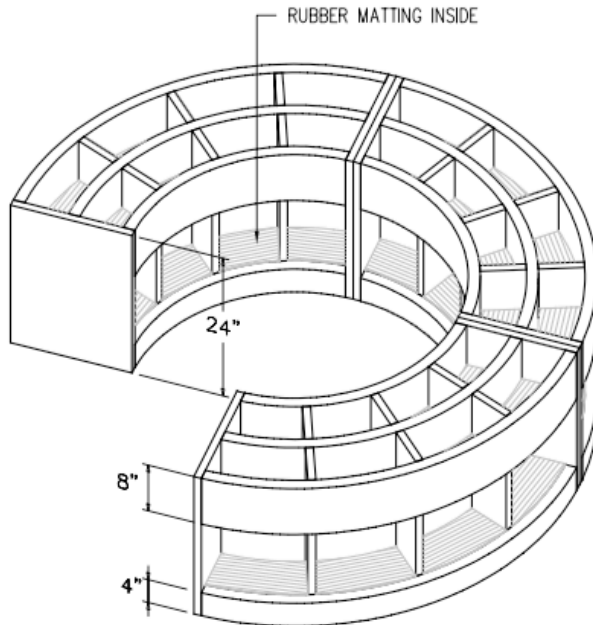


COMPASS – BOOK BINS

PRODUCT: COMPASS- BOOK BINS

CODE: COM-BB

DIMENSIONS: 24" High x 60" Outer Length of arc x 16" Deep
(Each Bin has various dimensions depending on the arc of curve)



SPECIFICATIONS:

DESCRIPTIONS:

Compass book bins are designed to hold Children books. Please see sketch above.

CASTERS:

Heavy Duty Casters for each corner allow full mobilization of Book Bins.

CONSTRUCTION:

All HPL construction with One (1)" Particle Board Core End Panels and Horizontal Surfaces.
One (1)" PBC Bin Dividers. One (1-1/2) " PBC Curved Bin Dividers.
High Pressure Laminate All Exposed Surfaces.

Edging:

Edge banding 1/8" thick radius 3mm Painted MDF with 1/8" round over on top edges.

Cube Dividers:

Cube with dividers to create four cubbies. HPL Vertical Edges. Each cubby includes rubber mats.
Rubber Anti-Slip mats in cubbies / bins.



Nansen Group Inc.
4920-72 Avenue SE
www.nansengroup.com

| Calgary , Alberta, Canada
| sales@nansengroup.net