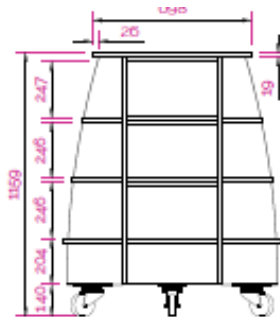
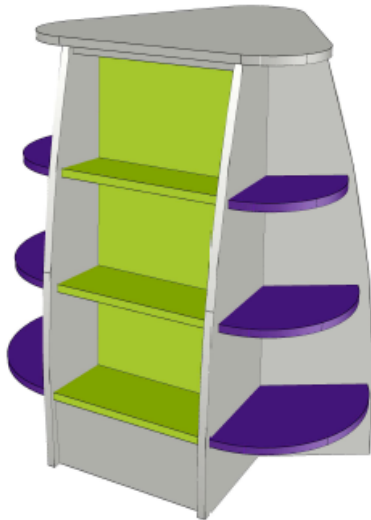


BARON - SEXTON

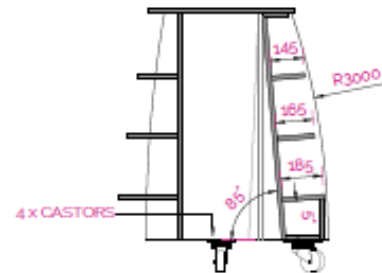
PRODUCT: BARON OF SEXTON

CODE: 13

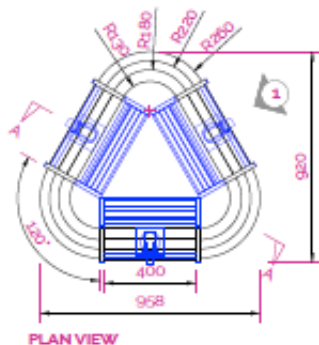
DIMENSIONS: 45.6"H X 36.2"D X 37.7"W



ELEVATION VIEW 1



SECTION A-A



PLAN VIEW

SPECIFICATIONS:

CASTERS:

Baron & Baroness shelving shall have four swivel casters.

DESCRIPTIONS:

Baron & Baroness shelving is brightly coloured, multipurpose library shelving in several configurations for the modern library, designed to hold books and multimedia materials.

CONSTRUCTION:

Baron & Baroness shelving units have steel and MFC construction, painted with epoxy paint finish.

Some Baron & Baroness have padded seats (from the variety of upholstered or Just Colour vinyl range) and made of MFC construction.



Nansen Group Inc.
SUITE 207, 264 Midpark Way SE
Calgary, Alberta, Canada, T2X 1J6
www.nansengroup.com | sales@nansengroup.net