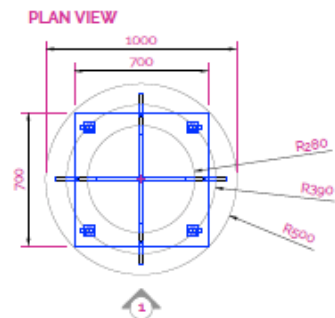
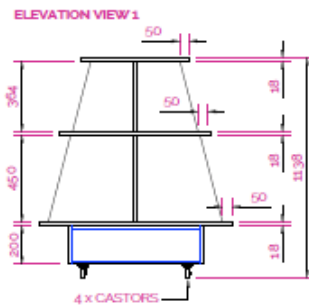
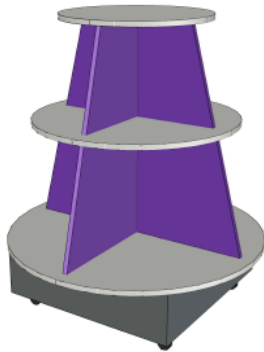


BARONESS COX

PRODUCT: BARONESS COX

CODE: 11

DIMENSIONS: 44.8"H X 39.3"D X 39.3"W



SPECIFICATIONS:

CASTERS:

Baron & Baronesse shelving shall have four swivel casters.

DESCRIPTIONS:

Baron & Baronesse shelving is brightly coloured, multipurpose library shelving in several configurations for the modern library, designed to hold books and multimedia materials.

CONSTRUCTION:

Baron & Baronesse shelving units have steel and MFC construction, painted with epoxy paint finish.

Some Baron & Baronesse have padded seats (from the variety of upholstered or Just Colour vinyl range) and made of MFC construction.



Nansen Group Inc.
4920-72 Avenue SE
www.nansengroup.com

| Calgary , Alberta, Canada
| sales@nansengroup.net